

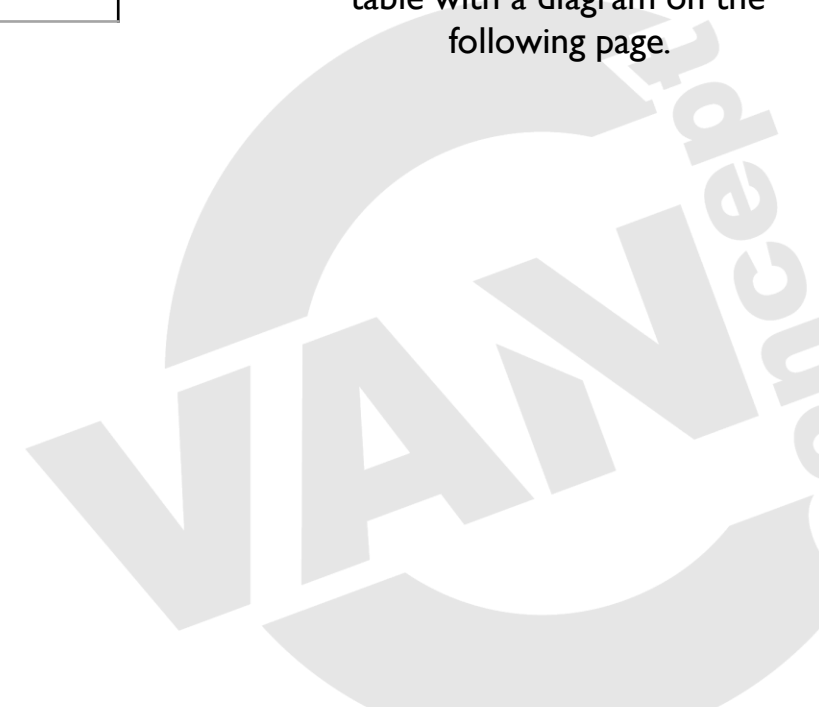
## CRUX-0044

### VW CRAFTER '17- & MANTGE '17- (4x4/RWD)

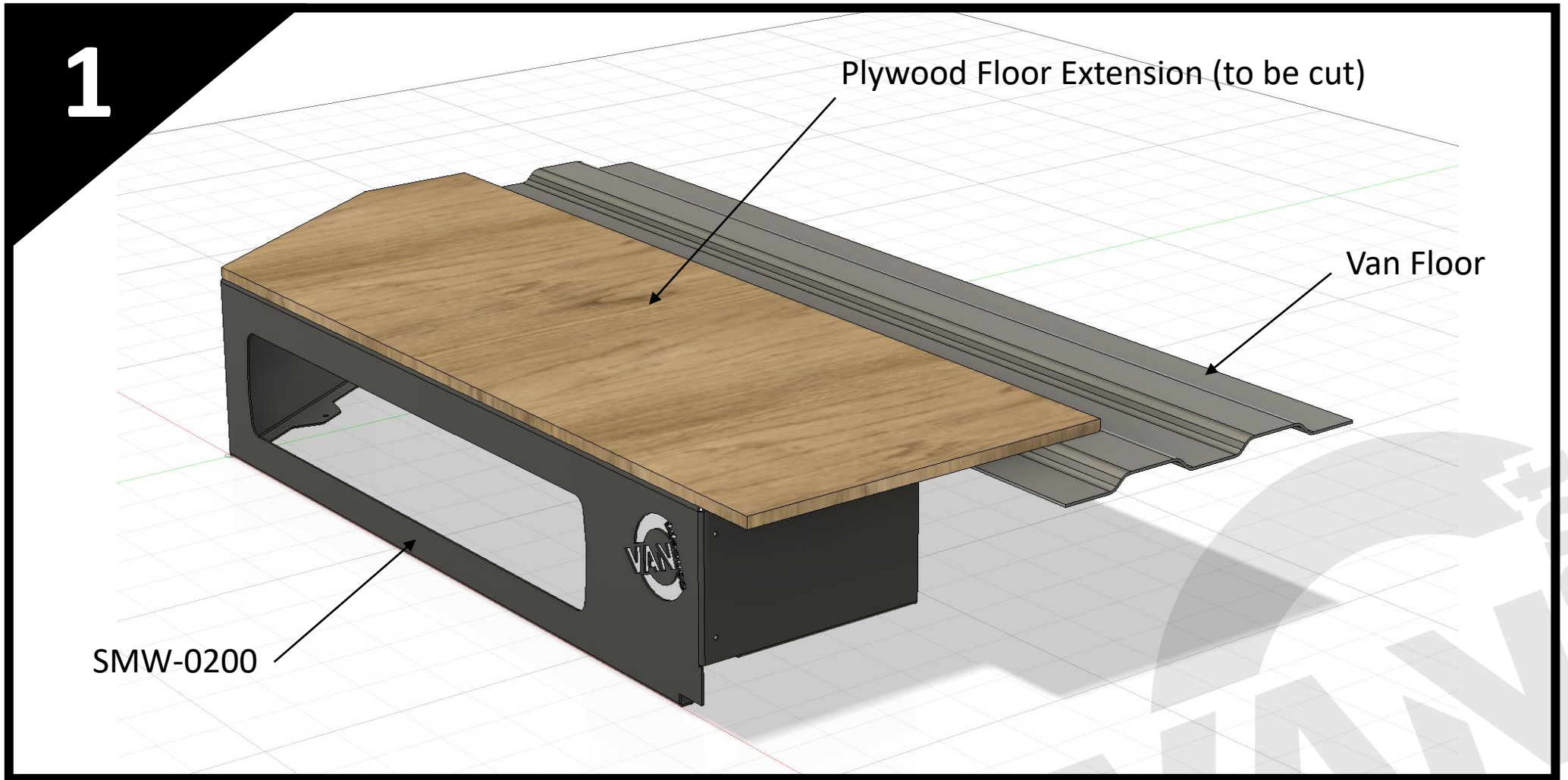
No.	Part No.	Description	Box Only
1	SMW-0200 (LH or RH)	VW Crafter '17- & MAN TGE '17- Sliding Door Extension	1
2	Pan Head Screw	No.8 x 1/2"	4
3	CSK Machine Screw	M5 x 25mm	4
4	M5 Chimney Nut	4 x 8mm	4

#### What's in the box?

The various kit options and their parts are noted in the table with a diagram on the following page.

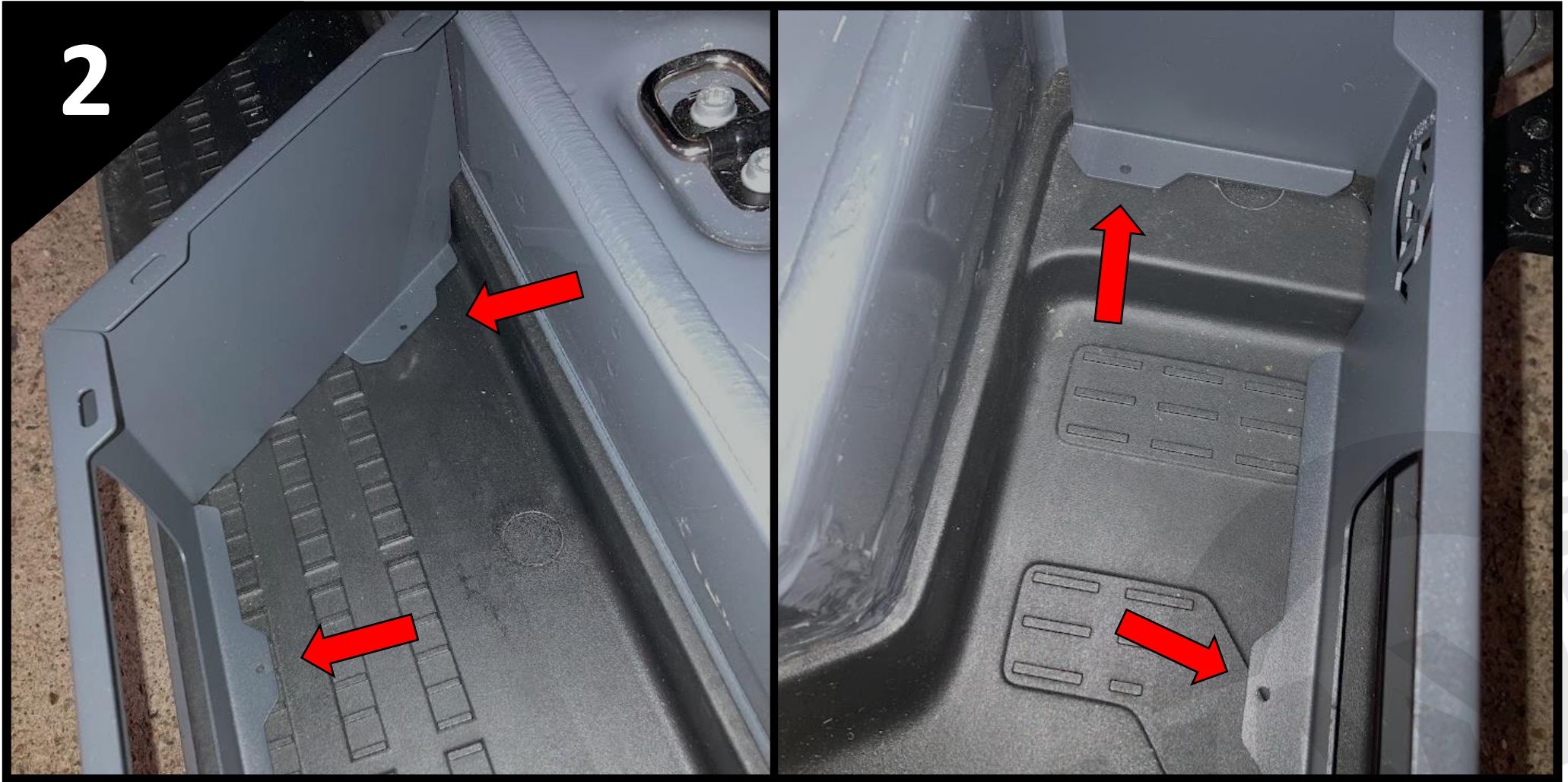


# INSTRUCTIONS STEP EXTENSION STORAGE BOX



- The top of the Step Extension Storage Box is designed to be the same height as the top of the ribs in the van floor.
- If you are fitting battens/insulation, then plywood packers will need to be added on top of the box to create a level floor.

# INSTRUCTIONS STEP EXTENSION STORAGE BOX



- Position the box on the step and mark/pre-drill four  $\varnothing 3\text{mm}$  holes in the side-step.

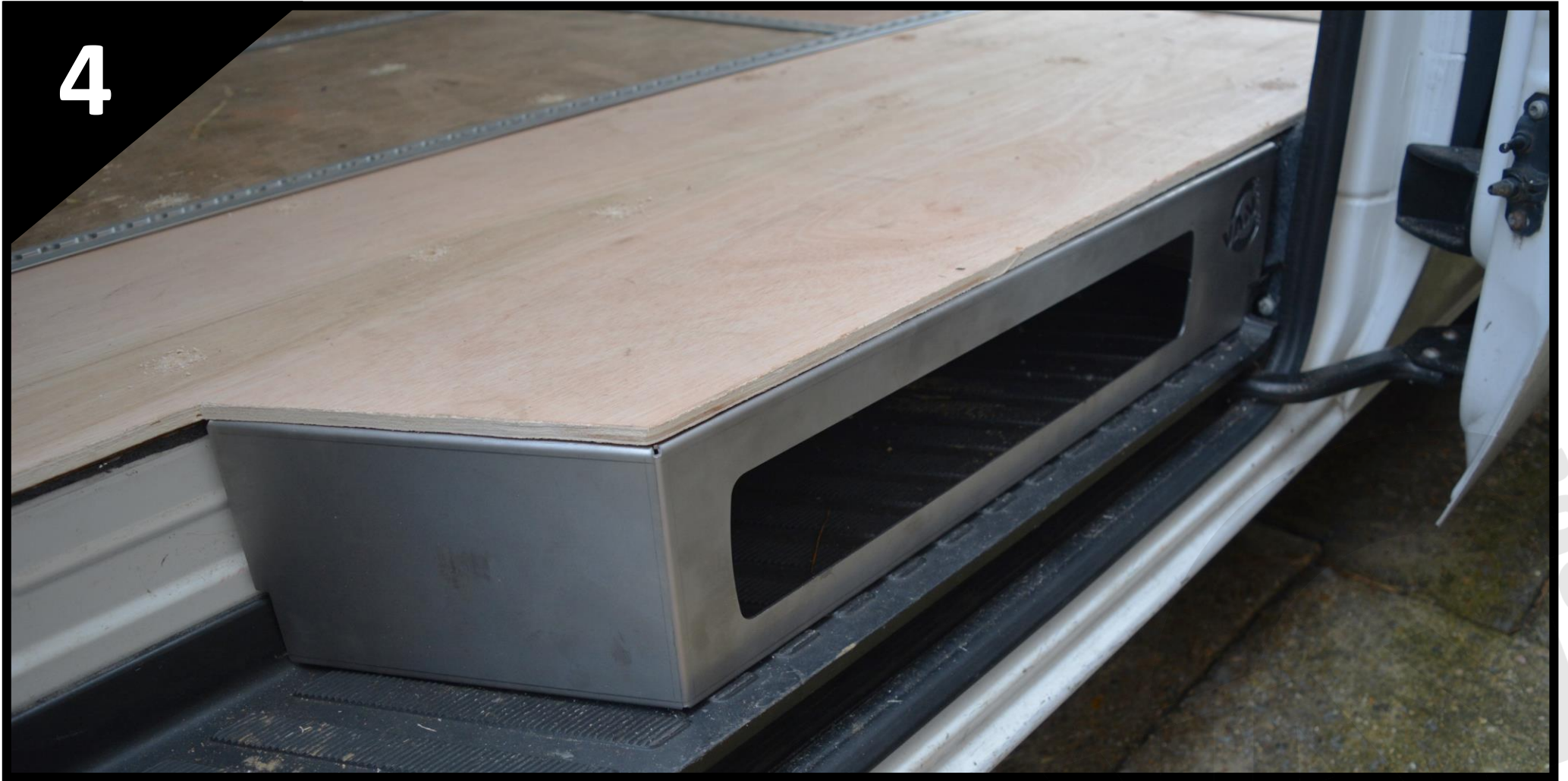
# INSTRUCTIONS

## STEP EXTENSION STORAGE BOX



- Screw four pan head screws in the bottom flanges of the metalwork to secure the box in place (two at the rear and two at the front).

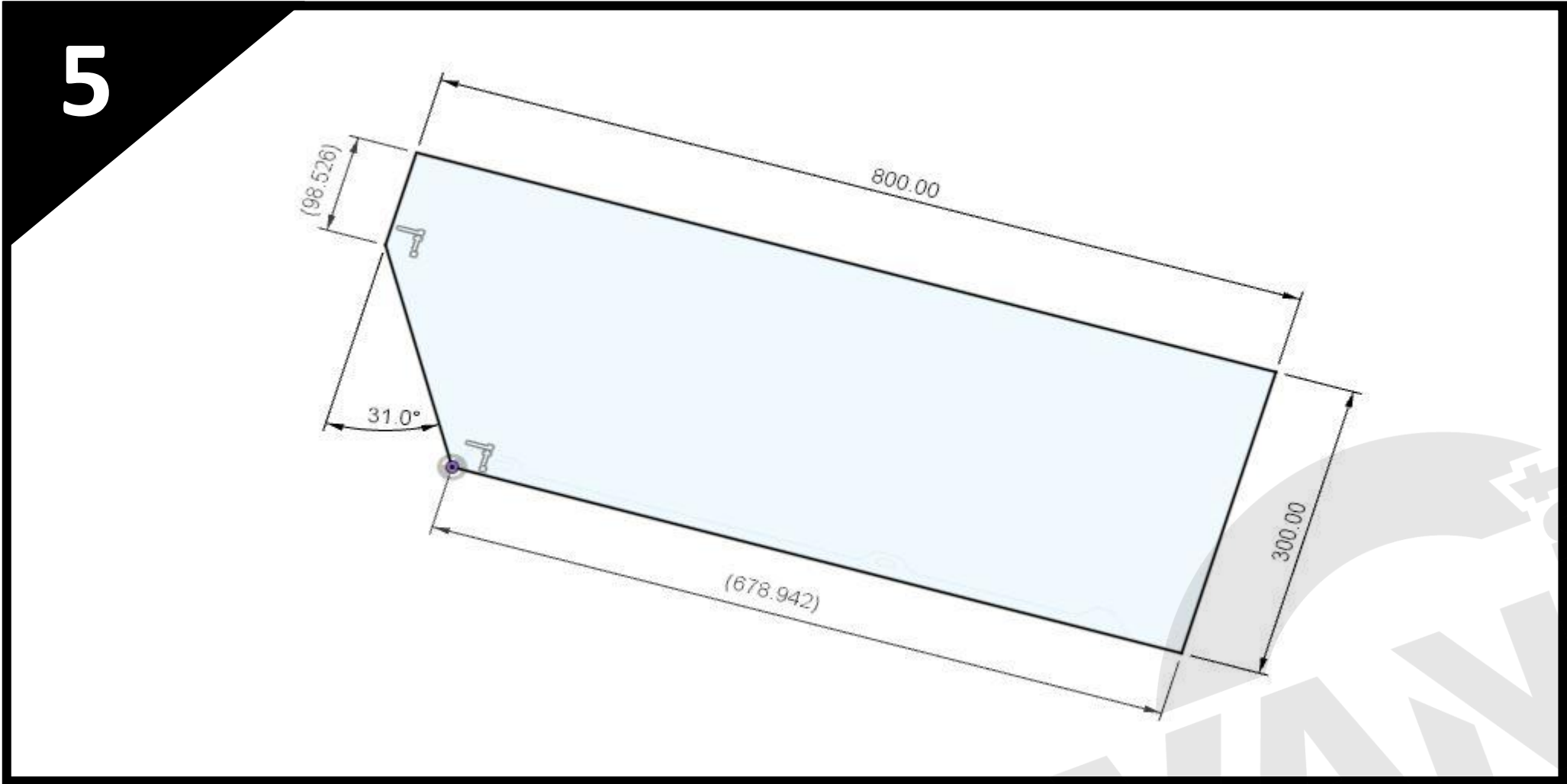
# INSTRUCTIONS STEP EXTENSION STORAGE BOX



- If fitting a new floor, position your floor in the van and scribe around the box before cutting to the correct profile.

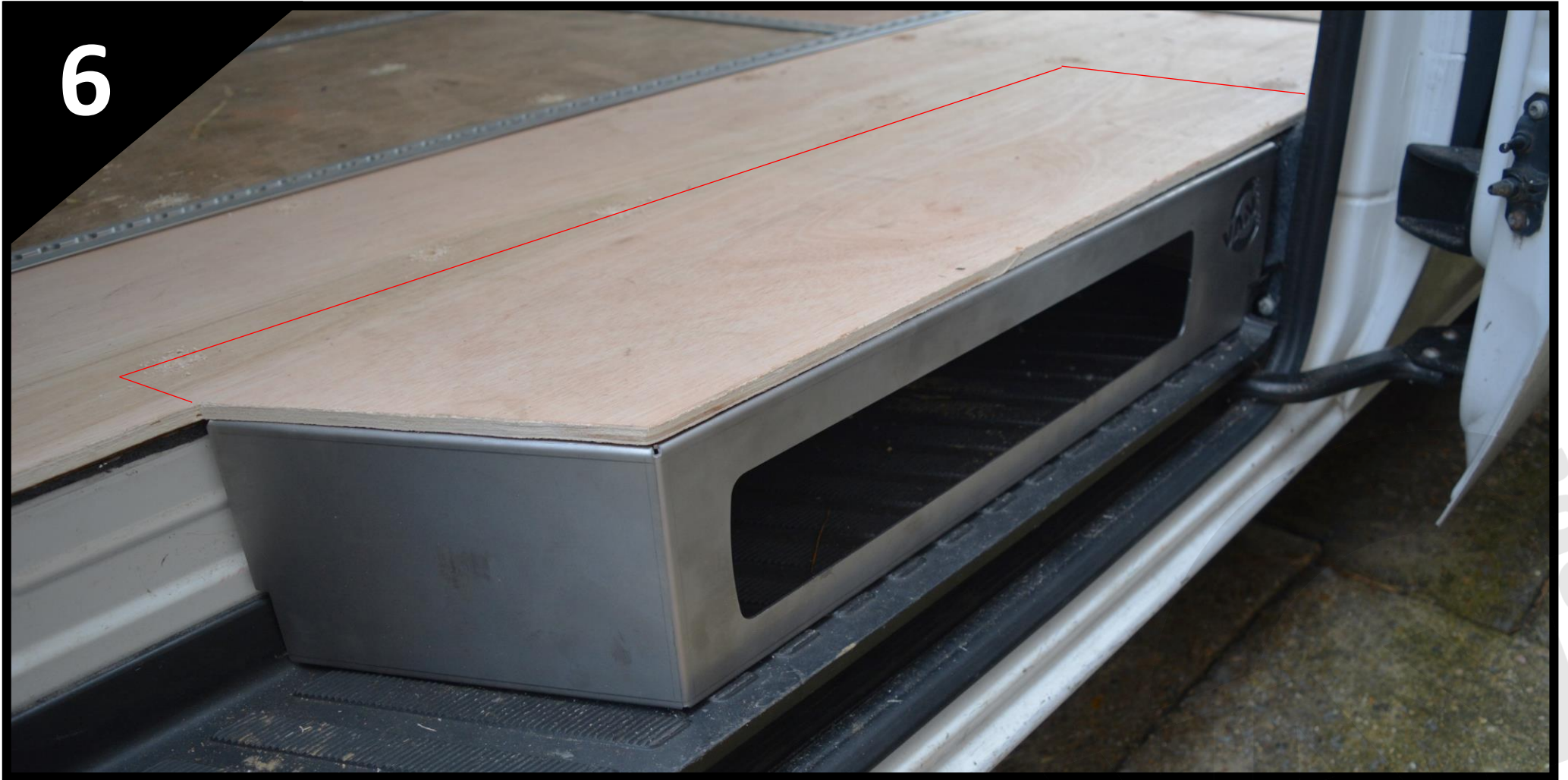
*(image shows old model – CRUX-0044 fits the same way)*

# INSTRUCTIONS STEP EXTENSION STORAGE BOX



- If using the existing floor, cut out a piece of ply to the same thickness of your existing floor to the approximate dimensions above.
  - This is designed to overlap the current floor for strength.

# INSTRUCTIONS STEP EXTENSION STORAGE BOX



- As the plywood extension overlaps, a section of the current floors needs to be cut away as shown. Use the newly cut extension piece as a template to match it up.
- From the underside, mark the position of the four slots and drill four  $\varnothing 7\text{mm}$  holes through the plywood to take the machine screws.

# INSTRUCTIONS STEP EXTENSION STORAGE BOX



- Fit the four M5 Chimney Nuts to the four slots on the top flange of the storage box. Note the flat side of the clip should be facing upwards.



# INSTRUCTIONS STEP EXTENSION STORAGE BOX



- With the flooring (and floor vinyl) fitted, secure the floor to the box by fitting the four machine screws through the floor and tighten into the M5 Chimney Nuts in the top flange of the storage box.
  - *If the side-step needs to be removed for maintenance, remove the bolts and slide the box out for access.*